



TELEPHONE REMOTE CONTROL FOR
EBERSPÄCHER PARKING HEATERS

A WORLD OF COMFORT



Eberspächer

CONTENTS

CHAPTER TITLE	CONTENT	PAGE
1	INTRODUCTION	Please read first 4
		General information 4
		Safety information 5
		Technical data 6
2	INSTALLATION INSTRUCTIONS	Before installing 7
		– Information on usable SIM cards 7
		Prepare the SIM card 7
		– Prepare the SIM card with a mobile telephone 7
		– Change the PIN of EasyStart Call to the SIM PIN of the SIM card with the EDiTH Basic diagnostic tool 8
		Notes on operation with a prepaid card 8
		– Charging the prepaid card 8
		Installation 9
		– Insert the SIM card into the GSM MODULE. 9
		– Install GSM module 9
		– Install antenna 10
		– Install button 10
		– Connect the “Button” cable loom to the 12-pin connector 11
		– Connect the “Control” cable loom to the 9-pin connector 11
		– Installing the temperature sensor 11
		– Connect the “Temperature Sensor” cable loom to the 12-pin connector 12

CONTENTS

3	INITIAL START-UP	Configure EasyStart Call	13
		– Configure the EasyStart Call with the EDiTH diagnostic tool (version S4V1-F)	13
		– Configure the EasyStart Call with a mobile phone	13
		– Display / delete current error, error memory	16
		– Pre-adjustments for the customer	17
		– Set the day of the week and the time	19
		– Konfiguration abfragen / zurücksetzen	21
		After configuration	22
4	NOTES	Notes	23
		Notes on apps for smartphones	23
5	DIAGNOSIS	Diagnosis	24
6	CIRCUIT DIAGRAM	Circuit diagram for connecting to the Hydronic and Hydronic II	26
		Circuit diagram for the connecting to the Hydronic II C	27
		Circuit diagram for connecting to the Hydronic M II	28
		Circuit diagram for connecting to the Airtronic / Airtronic M / Airtronic L	29

1 INTRODUCTION

PLEASE READ FIRST

Before you start to install the EasyStart Call, please ensure you read through these installation instructions carefully.

These installation instructions contain important information, which you require for the installation.

GENERAL INFORMATION

PLEASE NOTE!

- All mobile and landline telephones which allow you to transmit DTMF (dual tone multi-frequency) signals and / or send an SMS (short message service) within a GSM network are suitable as control units.
- Neither a mobile phone nor a landline phone is included in the scope of supply.
- A SIM card / prepaid card of a mobile phone operator is required to operate the EasyStart Call (see notes [Page 7](#)).
The SIM card / prepaid card is not included in the scope of supply.
- Costs (telephone charges) are incurred when you make a call and send an SMS, and when you receive “heater feedback” via SMS.
- The range depends on the network operator.
- The SIM card must be activated for roaming by the mobile phone network operator.
- Neither a mobile phone nor a landline phone is included in the scope of supply.
- The EasyStart Call can only be operated in vehicles with a metallised windscreen if an external GSM antenna is installed.
- Ensure you note and comply with the vehicle manufacturer's instructions and regulations for the installation and operation of a mobile phone or GSM module.
- The operating mode and setpoint temperature (only for air heaters) are selected via EasyStart Call.
- Combination of the EasyStart Call with a timer and / or radio remote control (e.g., for retrofitting) is not planned.
- It is absolutely necessary to install the button.
- The button has an indicator light to note that the device is switched on and the button can also be used to reset the password (four digit access PIN).
- After installation, give the customer the installation instructions together with the operating manual.

1 INTRODUCTION

SAFETY INFORMATION

DANGER!

Pacemakers and hearing aids can be affected by radio waves and their function disrupted.

- ➔ Get your doctor to check your pacemaker or hearing aid specialist to check your hearing aid for susceptibility to faults.

SIM card, SIM card holder and accessories are small components and could be swallowed by children - risk of death!

- ➔ Do not allow children access to the small components of the EasyStart Call.
-

CAUTION!

Safety instructions for installation and operation!

The phone remote control may only be installed by a partner authorised by the manufacturer according to the instructions in this documentation or any special installation recommendations.

Installation or operation deviations from the statutory regulations, safety instructions or specifications relevant to safe operation as stated in the installation instructions and operating instructions are not allowed.

Repairs and changes to the phone remote control are not permitted.

1 INTRODUCTION

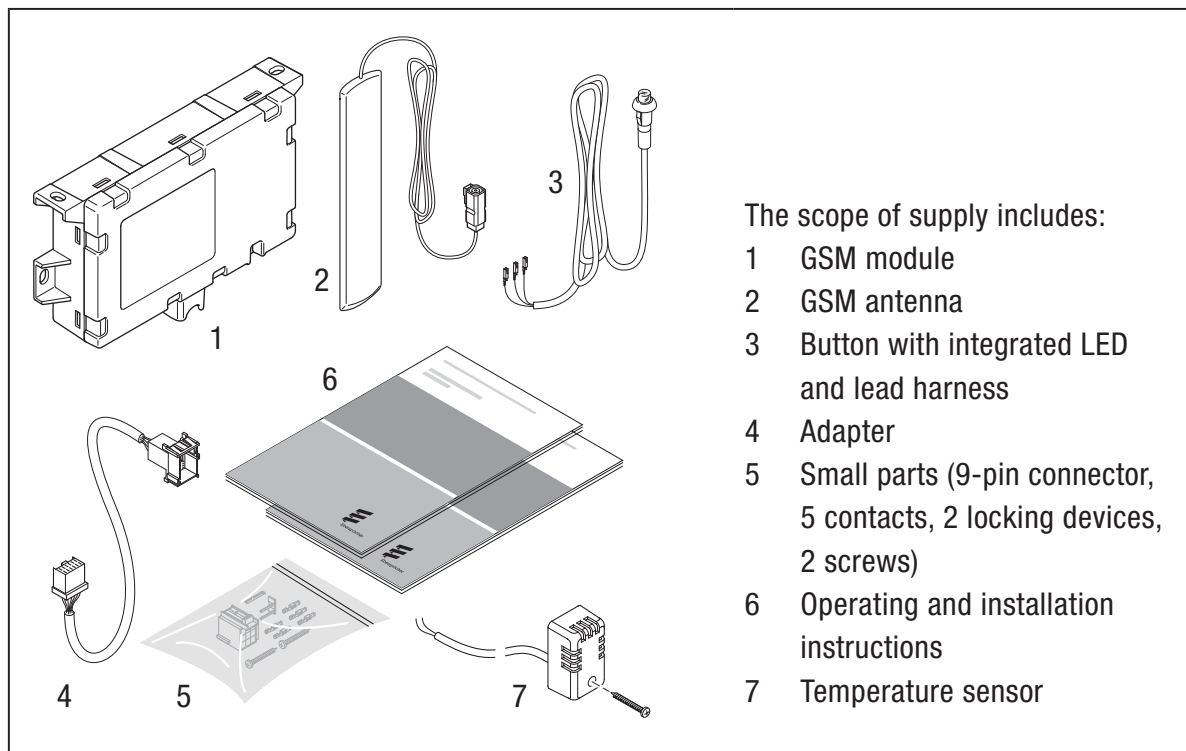
TECHNICAL DATA

Operating voltage	9 – 32 volt
Closed-circuit power consumption	0.005 A
Current consumption	max. 0.5 A
Data transfer and connection to the GSM network	
Input voltage	max. 32 volt
permissible ambient temperature (without SIM card*)	– 40 °C to +85 °C
Storage temperature (without SIM card)	– 40 °C to 85 °C
GSM Quad Band	EGSM 850/900/1800/1900 MHz
Transmit Power	Class 4 (2W) @ 850/900 MHz Class 1 (1W) @ 1800/1900 MHz
Dimensions (without mounting straps)	W: 77 mm, H: 106 mm, D: 25 mm

* Mind the permissible ambient temperature of the SIM card.

SCOPE OF SUPPLY

EasyStart Call, order no. 22 1000 34 01 00



2 INSTALLATION INSTRUCTIONS

BEFORE INSTALLING

INFORMATION ON USABLE SIM CARDS

The EasyStart Call can be operated with a 1.8 V or 3 V SIM card of a mobile phone network operator which supports the mobile phone standard GSM Quad Band - EGSM 850/900/1800/1900 MHz mobile phone standard.



CAUTION!

- When EasyStart Call is placed into operation, all data on the SIM card are deleted.
- When selecting a SIM card make sure that you choose a GSM SIM card and not a UMTS SIM card (USIM).

PLEASE NOTE!

- When signing a contract with a mobile phone network operator, ensure that the PIN query of the SIM card can be deactivated.
- The accessibility of the EasyStart Call depends on the relevant mobile phone network operator.
- If using previously used SIM cards, delete all data from the card first, such as phone numbers, SMS, photos, etc.
- Roaming must be activated for the SIM card.

PREPARE THE SIM CARD

Before the SIM card is inserted into the GSM module, it must be prepared by a mobile telephone or the EDiTH Basic diagnostic tool (order no. 22 1541 89 00 00) for it to operate with the EasyStart Call.

PREPARE THE SIM CARD WITH A MOBILE TELEPHONE

Insert the SIM card into a mobile phone and activate according to the instructions of the mobile phone network operator.

Additional settings required:

- Deactivate the SIM PIN query
- If the SIM PIN cannot be deactivated, it must be changed to 1865.

PLEASE NOTE!

- If the mobile phone is blocked for other mobile phone network operators by a SIM lock, the purchased SIM card must be activated using a mobile phone without SIM lock.
- If you are using a prepaid card, please be sure that the card has sufficient credit.
- The SIM card should be activated with a mobile phone approx. 24 hours before installation into the EasyStart Call.

2 INSTALLATION INSTRUCTIONS

CHANGE THE PIN OF EASYSTART CALL TO THE SIM PIN OF THE SIM CARD WITH THE EDITH BASIC DIAGNOSTIC TOOL

- Connect the GSM module **without** the SIM card to the EDiTH Basic diagnostic tool using an adapter cable.
- Connect the GSM module to the power supply.
- Start the EDiTH software on the PC.
- Select EasyStart Call in the window “Heaters and testing selection”. Then select “Configuration” in the testing rubric, enter the 4-digit PIN for the SIM card and save it in the EasyStart Call.
- Return the GSM module to a currentless state.
- Insert the SIM card into the GSM module ([see page 9](#)).
- Reconnect the GSM module to the power supply and proceed with the configuration as described [from page 13](#).

PLEASE NOTE!

The SIM PIN query cannot be deactivated with the EDiTH software.

NOTES ON OPERATION WITH A PREPAID CARD

If a prepaid card is used, note the term (validity period of the card units). If the prepaid card has expired, the EasyStart Call **cannot** be operated.

Please ask your mobile phone network operator how often you need to charge your prepaid card to prevent it from being deactivated.

CHARGING THE PREPAID CARD

To charge the pre-paid card, remove it from the EasyStart Call and proceed as follows:

- Disconnect the GSM module from the power supply (Remove the 12-pin connector).
- Remove the prepaid card from the EasyStart Call, [see page 9](#).
- Load units onto the prepaid card using a mobile phone according to the conditions of the mobile phone network operator.

2 INSTALLATION INSTRUCTIONS

INSTALLATION



CAUTION!

Do **not** insert the SIM card into the SIM card holder or remove it while a voltage is applied to the GSM module.

This can cause damage to the SIM card or GSM module.

➔ Disconnect the GSM module from the voltage supply!

INSERT THE SIM CARD INTO THE GSM MODULE.

- Unlock the SIM card holder in the GSM module with a pointed object and remove.
- Insert the SIM card into the card holder so that the slanted corner of the SIM card is located at the bottom left in the card holder and the SIM card chip is visible.
- Slide the SIM card holder with the inserted SIM card back into the GSM module and lock.

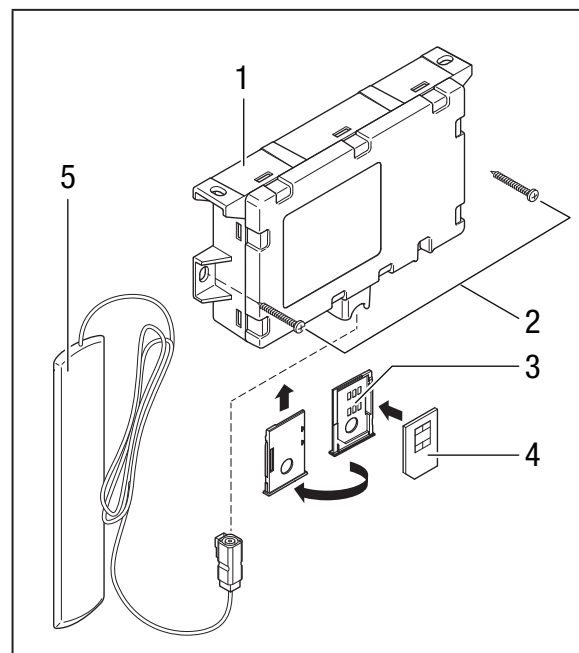
INSTALL GSM MODULE

The GSM module must be installed inside the vehicle; the preferred location is under the dashboard.

Fix the GSM module with the 2 self-tapping screws supplied with unit or with cable ties.

PLEASE NOTE!

- The GSM module must be installed inside the vehicle.
- When installing the GSM module ensure that you leave sufficient space to connect the cable loom and antenna cable and, if necessary, to replace the SIM card.
- Vehicle parts behind the mounting surface must not be damaged when fixing the GSM module with the self-tapping screws.



- 1 GSM module
- 2 Self-tapping screws
- 3 SIM card holder
- 4 SIM card
- 5 GSM antenna

2 INSTALLATION INSTRUCTIONS

INSTALL ANTENNA

The antenna must be fixed to the front windscreen, however, never fix it in the tinted area or on the heating wires of the windscreen heating or the wires of the windscreen antenna.

- Thoroughly clean the windscreen with a cleaning cloth.
- Pull off the protective film on the antenna and stick the antenna onto the screen.
- Lay the antenna cable to the GSM module and connect it.

PLEASE NOTE!

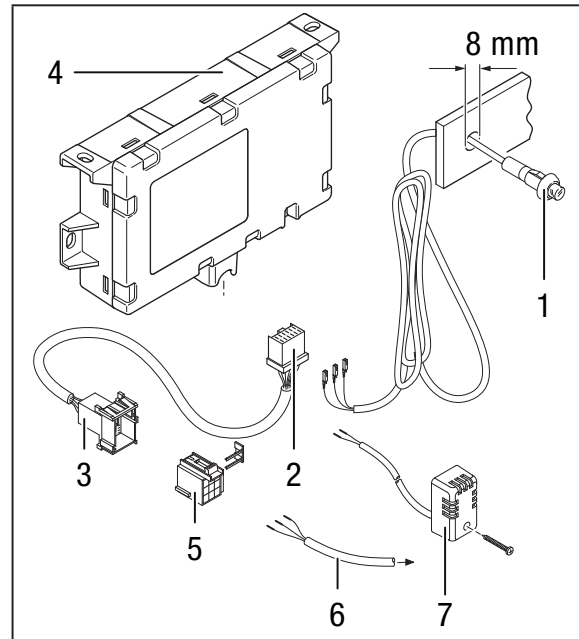
- Do not shorten or bend the antenna cable.
- When positioning the antenna, maintain a minimum distance of 3 cm from metal parts.

INSTALL BUTTON

- The button included in the scope of supply must be installed.
For this, drill an \varnothing 8 mm hole in an easily accessible location that the driver can reach, e.g., in the dashboard or in the centre console.
- Insert the button in the \varnothing 8 mm hole.

PLEASE NOTE!

If necessary, discuss the possible mounting position with the vehicle owner.



- 1 Button with cable loom
- 2 12-pin connector
- 3 9-pin connector
- 4 GSM module
- 5 9-pin connector, yellow
- 6 "Control" cable loom
- 7 Temperature sensor

2 INSTALLATION INSTRUCTIONS

CONNECT THE “BUTTON” CABLE LOOM TO THE 12-PIN CONNECTOR

- Clip the 3 connectors of the “Button” cable loom into the 12-pin connector housing of the adapter cable as described in the following:
 - Cable br/ge in chamber 7
 - Cable rt/ge in chamber 6
 - Cable br in chamber 8.
- Then secure the connectors in the connector housing with the locking device.
- Connect the 12-pin connector housing of the adapter cable to the GSM module.

CONNECT THE “CONTROL” CABLE LOOM TO THE 9-PIN CONNECTOR

- Crimp 3 connectors to the “Control” cable loom (of the heater cable harness) and clip it into the 9-pin connector housing received in the scope of delivery as described in the following:
 - Cable rt in chamber 1
 - Cable br in chamber 3
 - Cable bl/ws in chamber 5
- Then secure the connectors in the connector housing with the locking device.
- Connect the 9-pin connector to the adapter cable.

PLEASE NOTE!

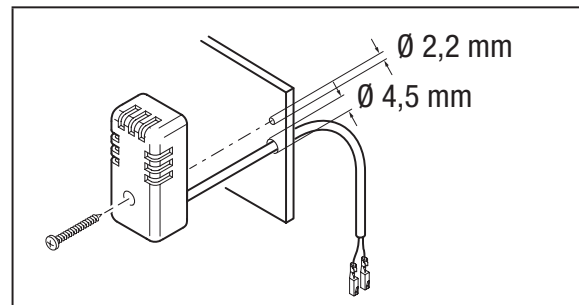
Note and follow the circuit diagrams [from page 26](#).

INSTALLING THE TEMPERATURE SENSOR

Install the temperature sensor included in the scope of supply to display or request the interior temperature.

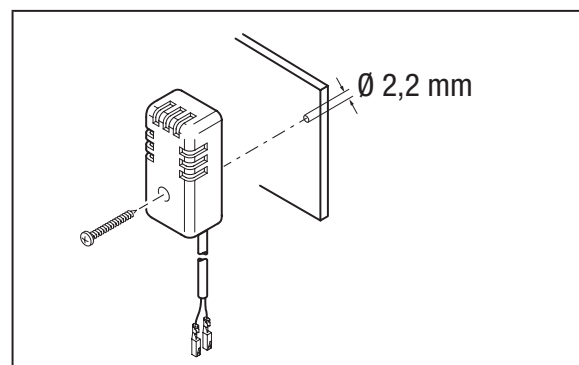
Use a self-tapping screw C 2.9 × 19 to mount the temperature sensor on the instrument panel or another suitable place in the vehicle. Lay the (2 m long) lead harness of the temperature sensor as follows:

- Feed the lead harness through a drillhole in the instrument panel (see Sketch 1).



Sketch 1

- Lay the lead harness on the instrument panel (see Sketch 2).



Sketch 2

2 INSTALLATION INSTRUCTIONS

PLEASE NOTE!

- Do not mount the temperature sensor near a hot air outlet.
 - Do not mount the temperature sensor in the hot air stream.
 - Mount the temperature sensor in a place protected from draughts.
 - Mount the temperature sensor in a place protected from direct sunshine.
-

CONNECT THE “TEMPERATURE SENSOR” CABLE LOOM TO THE 12-PIN CONNECTOR

- Clip the temperature sensor into the 12-pin connector housing of the adapter cable as described in the following:
 - Cable br in chamber 9
 - Cable ws in chamber 10.
- Then secure the connectors in the connector housing with the locking device.
- Connect the 12-pin connector housing of the adapter cable to the GSM module.

3 INITIAL START-UP

CONFIGURE EASYSTART CALL

The configuration of the EasyStart Call can be carried out with the EDiTH Basic diagnostic tool (order no. 22 1541 89 00 00) and an adapter cable (order no. 22 1000 34 11 00) or with a mobile telephone via SMS.

CONFIGURE THE EASYSTART CALL WITH THE EDITH DIAGNOSTIC TOOL (version S4V1-F)

After the SIM card has been inserted into the GSM module and the voltage supply has been established and after the GSM module has connected to the network, the configuration can be carried out.

The functions available for selection are displayed on the PC and are identical to those for configuration via SMS (see [from page 14](#)).

CONFIGURE THE EASYSTART CALL WITH A MOBILE PHONE

After inserting the SIM card and installing the GSM module, you must establish the power supply by inserting the fuse (2.7.1 in the heater circuit diagram) in the fuse bracket.

Select the desired function from the ones listed (see [from page 14](#)) and send the appropriate input command via SMS to the EasyStart Call.

The EasyStart Call can send an SMS back as confirmation. “Heater feedback” must be activated; [see page 17](#).

PLEASE NOTE!

- If the call number, which the EasyStart Call calls, is authorised, the password (four digit access PIN) 1234 does not need to precede the input command.
- A space must be entered between the input commands to separate them.
- If the EasyStart Call is **not** configured, then the factory settings apply:
 - Language English (EN)
 - Duration 30 minutes
 - Temperature 21 °C.
 See also [Page 15](#) “Revert to factory settings”
- Both upper and lower case letters are accepted.
- The EasyStart Call can determine the current time automatically if the provider supports this function; [see page 20](#).
- The day of the week and the time must be reset after every interruption of the power supply.
- You must manually change the time from summer time to winter time and vice versa.

3 INITIAL START-UP

EXAMPLE OF AN SMS COMMAND ENTRY

Function: Set language

Input command:

pin:1234_ config:set,lang:de*

Note: After entering “Pin:1234” always add a space (symbol = _).

- * [Entry of the abbreviation for the selected language](#)

CONFIGURE THE EASYSTART CALL

Function SMS command (_ = symbol for space) Note / Input options	Heater feedback
Set language pin:1234_ config:set,lang:* * Entry, e.g., DE for German. You can select from the following languages: DA DE EN FI FR NL NO RU SV Factory setting: EN.	e.g. Config:ok,lang:DE
Set temperature unit pin:1234_ config:set,tempunit:* * Entry c for °Celsius or f for °Fahrenheit. Factory setting: °C.	Config:ok,tempUnit:C or F
Enter the number of digits for the call number comparison pin:1234_ config:set,signumber:* * Entry of the last 3 to max. 7 digits of the current phone number; only necessary if the call number has less than 7 digits. Factory setting 7.	Config:ok,SigNumber:3 to 7 digits

3 INITIAL START-UP

CONFIGURE THE EASYSTART CALL

<p>Function</p> <p>SMS command (_ = symbol for space)</p> <p>Note / Input options</p>	<p>Heater feedback</p>
<p>Select start time or departure time for timer programming</p> <p>pin:1234_config:set,timerref:*</p> <p>* Entry start for heating mode start time. Entry end for departure time. Factory setting: end.</p>	<p>Config:ok,timerRef:start or end</p>
<p>read out configuration</p> <p>pin:1234_config?</p>	<p>e.g.</p> <p>Config:ok, pin:four digit access PIN, lang:DE, SigNumber:3 – 7 digits, tempUnit:C or F, auxHeater:off or on, timerRef:start or end,</p>
<p>Revert to factory settings</p> <p>pin:1234_config:reset</p> <p>The SIM PIN remains unchanged. The password (four digit access PIN) is reset to 1234. All other configurations are deleted.</p>	<p>Config:ok, pin:1234, lang:EN, SigNumber:7, tempUnit:C, auxHeater:off, timerRef:end,</p>

3 INITIAL START-UP

DISPLAY / DELETE CURRENT ERROR, ERROR MEMORY

Function	
SMS command (_ = symbol for space) Note / Input options	Heater feedback
Display current error, error memory – Heater control box pin:1234_heatererror? Display AF: = current error, error memories F1 to F5 are displayed. Display AF:0 = no error. For error code, error description and remedial actions, see troubleshooting and repair instructions for the heater.	HeaterError:ok,AF:Current error, F1:error code, F2:error code, F3:..., F4:..., F5:...
Delete current error, error memory – Heater control box pin:1234_heatererror:clear Display AF:0 = no error.	HeaterError:ok,AF:0, F1:0, F2:0, F3:0, F4:0, F5:0
Display current error, error memory – EasyStart Call GSM-module pin:1234_deviceerror? Display AF: = current error, error memories F1 to F5 are displayed. Display AF:0 = no error. For error code, error description and remedial actions, see page 25 .	DeviceError:ok,AF:Current error, F1:error code, F2:error code, F3:..., F4:..., F5:...
Delete current error, error memories – EasyStart Call GSM-module pin:1234_deviceerror:clear Display AF:0 = no error.	DeviceError:ok,AF:0, F1:0, F2:0, F3:0, F4:0, F5:0

3 INITIAL START-UP

PRE-ADJUSTMENTS FOR THE CUSTOMER

Function	
SMS command (_ = symbol for space) Note / Input options	Heater feedback
Activate/Deactivate heater feedback pin:1234_ feedback:* * Entry on (activate) or off (deactivate)	Feedback:on or off
Query heater feedback pin:1234_ feedback? Factory setting: deactivated (off)	Feedback:on or off
Activate/Deactivate heater error message – heater fault pin:1234_ errorfeedback:* * Entry on (activate) or off (deactivate). If you want to use this function, the phone number for receipt of the “heater error message” must be authorised; see function: <ul style="list-style-type: none"> – Authorise the phone number for operating the EasyStart Call – Accept the phone number of the SMS sender as the authorised phone number. 	ErrorFeedback:on or off
Query heater error message – Heater fault pin:1234_ errorfeedback? Factory setting: deactivated (off)	ErrorFeedback:on or off

3 INITIAL START-UP

Function SMS command (_ = symbol for space) Note / Input options	Heater feedback
Authorise the phone number for operating the EasyStart Call pin:1234_mainphone:set,number:* * Entry of the current phone number is accepted with the + symbol or 00 in the country code (e.g., Germany +49 or 0049). Enter max. 24 characters for a phone number.	MainPhone:ok,number:authorised phone number
Accept phone number of SMS sender as authorised phone number pin:1234_mainphone:set,number:mine The current phone number is displayed with the + symbol or 00 in the country code (e.g., Germany +49 or 0049).	MainPhone:ok,number:authorised phone number
Display current phone number pin:1234_mainphone?	MainPhone:ok,number:current phone number

3 INITIAL START-UP

SET THE DAY OF THE WEEK AND THE TIME

The EasyStart Call can determine the current time automatically if the provider supports this function.

Check in advance if your provider supports “automatic time” by sending an SMS to the EasyStart Call.

If the “automatic time” function is not supported by your provider, the time and day of the week must be set manually.

Funktion SMS command (_ = symbol for space) Note / Input options	Heater feedback
Retrieve automatic time pin:1234_devicetime? <ul style="list-style-type: none"> The “Heater Error Message” function must be activated; see page 17. 	e.g. DeviceTime:ok,time:TU.14.20 Heater error message – “Automatic time” not supported by provider ErC:DeviceTime:time_not_set

3 INITIAL START-UP

Function SMS command (_ = symbol for space) Note / Input options	Heater feedback
Manually set the day of the week and the time pin:1234_devicetime:set,time:* * Entry e.g. FR.06.30 for Friday, 6.30 a.m. Day of the week entry: MO TU WE TH FR SA SU Time entry: Single-digit hours and minutes: 1-9 or 01-09 To check, you should read out the time and day of the week again since the duration of an SMS (sending of the input command and receipt of the feedback) can lead to a deviation in the time setting. You can compensate for this with an adjusted entry.	e.g. DeviceTime:ok,time:FR.06.30
Query time pin:1234_devicetime? <ul style="list-style-type: none"> The “Heater Error Message” function must be activated; see page 17. 	– if time set, e.g. DeviceTime:ok,time:TU.14.20 Heater error message – if time not set ErR:DeviceTime:time_not_set

3 INITIAL START-UP

KONFIGURATION ABFRAGEN / ZURÜCKSETZEN

Function	
SMS command (_ = symbol for space) Note / Input options	Heater feedback
Query heater configuration pin:1234_heaterconfig?	e.g. HeaterConfig:on or off, mode:heater or fan, run:45, SP:24 (for air heaters only)
Reset heater configuration pin:1234_heaterconfig:reset	e.g. HeaterConfig:on or off, mode:heater or fan, run:45, SP:24 (for air heaters only)
Query configuration of all timers pin:1234_tcfgall?	e.g. tcfg1:on or off, time:FR.06.30, mode:heater, run:45 SP:24 (for air heaters only) tcfg2:on or off, (Options as for timer 1) tcfg3:on or off, (Options as for timer 1)
Reset timer configuration pin:1234_tcfg*:reset * Entry 1 2 3 for timer 1, 2 or 3. The corresponding timer is deactivated.	e.g. tcfg1:off, time:FR.06.30, mode:heater, run:45 SP:24 (for air heaters only)

3 INITIAL START-UP

<p>Function</p> <p>SMS command (_ = symbol for space)</p> <p>Note / Input options</p>	<p>Heater feedback</p>
<p>Query the status of the data interface</p> <p>pin:1234_datcom?</p> <ul style="list-style-type: none"> For the note on “heater error message” ErL, see operating instructions. 	<ul style="list-style-type: none"> if no other operating element is connected. <ul style="list-style-type: none"> DatCom:no_device_found Heater error message <ul style="list-style-type: none"> Interface incorrectly wired ErL:DatCom:lost
<p>Query status of diagnosis interface</p> <p>pin:1234_heatercom?</p> <ul style="list-style-type: none"> For the note on “heater error message” ErD, see operating instructions. 	<p>HeaterCom:ok</p> <p>Heater error message</p> <ul style="list-style-type: none"> no heater connected. <ul style="list-style-type: none"> ErD:HeaterCom:no_heater_found Fault in data communication between EasyStart Call and heater. <ul style="list-style-type: none"> ErD:HeaterCom:lost

AFTER CONFIGURATION

Carry out a function test after configuration. See the EasyStart Call operating instructions for procedure.

If there are faults, read out the error memory of the heater and the EasyStart Call.

Remedy the faults according to the troubleshooting section for the heater and according to the descriptions on pages [24](#) and [25](#) for the EasyStart Call.

4 NOTES

NOTES

OPERATING THE EASYSTART CALL ALONG THE BORDER AND WHILE ABROAD (EUROPE, USA, CANADA, RUSSIA).

The accessibility of the EasyStart Call in border areas and in foreign countries depends on the relevant mobile phone network operator.

PLEASE NOTE!

- If the EasyStart Call is called in a foreign country, additional costs are charged (roaming charges).
 - If the EasyStart Call is called in the border area with a neighbouring country, roaming charges can also be incurred due to overlapping network coverage.
 - The SIM card must be activated for roaming by the mobile phone network operator.
-

NOTES ON APPS FOR SMARTPHONES

With our two optional apps for smartphones, EasyStart Call is even more convenient to use. You can download both apps from the iPhone App Store or via Google Play for Android smartphones.

For further information, refer to the operating instructions.

5 DIAGNOSIS

DIAGNOSIS

The EasyStart Call has a diagnostic function. If errors occur, they are stored and can be read out as needed with the EDiTH Basic diagnostic tool in conjunction with the EDiTH software (version S4V1-F or newer).

The adapter cable (order no.: 22 1000 34 11 00) is also required.

PERFORM THE DIAGNOSIS

Separate the EasyStart Call / heater cable loom interface, connect the EDiTH Basic diagnostic tool with the adapter cable and start the diagnosis.

THE FOLLOWING ACTIONS ARE POSSIBLE:

- Read out the current error and the error memory for the EasyStart Call and for the heater.
- Delete the error memory for the EasyStart Call and for the heater.
- Query software version.
- Query hardware version.
- Query the operating hours of the heater.
- Carry out, read out and change the configuration of the EasyStart Call.
- Revert to factory settings for the EasyStart Call.

PLEASE NOTE!

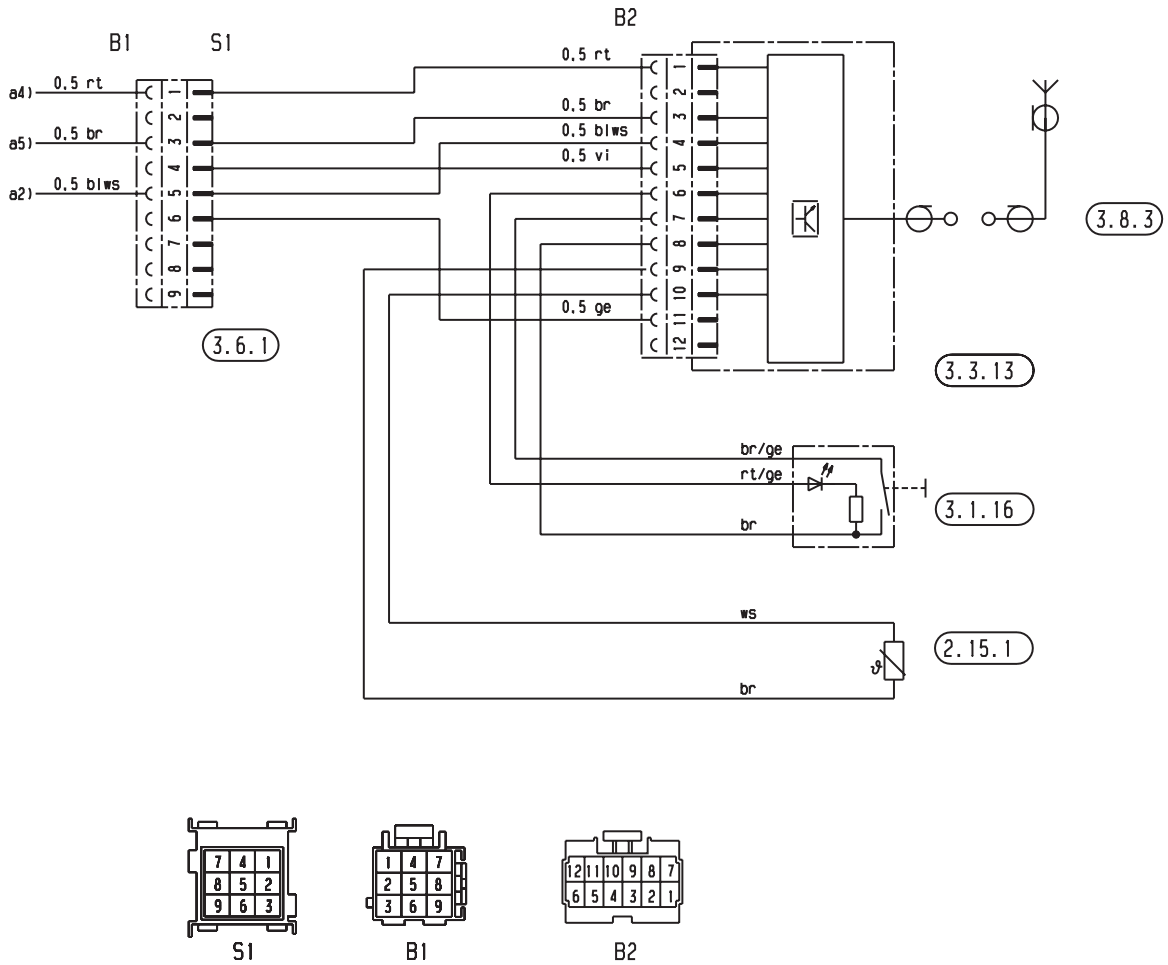
The error memory can only be read out with the EDiTH diagnostic tool (version S4V1-F or newer).

5 DIAGNOSIS

Error code	Error description	Remedial action
0	No fault	---
1	SIM card holder not found	Remove and install SIM card holder with SIM card. Ensure you install the SIM card holder properly. Use original JE SIM card holders only.
2	Incorrect SIM PIN code	Deactivate the PIN query on the SIM card; if not possible change SIM PIN to 1865 or change the PIN of the EasyStart Call with the EDiTH diagnostic tool to the SIM PIN of the SIM card; see page 8
3	PUK entry required	Enter the PUK via mobile phone and then deactivate the PIN query; if not possible change SIM PIN to 1865 or change the PIN of the EasyStart Call with the EDiTH diagnostic tool to the SIM PIN of the SIM card; see page 8 .
4	No network	SIM card not valid or not activated (provider). Check antenna
5	No GSM network time	The provider does not support the function "Automatic time"; enter the day of the week and the time by hand.
6, 7, 8, 11	Internal error	EasyStart Call defective ⇒ replace device
9	Unable to send text message	SIM card not valid or not activated (provider). If you are using a prepaid card, check the balance, if necessary load your prepaid card.
10	SIM card holder inserted, but no connection with the SIM card	No SIM card in the SIM card holder ⇒ Insert SIM card. SIM card is defective ⇒ replace SIM card.

6 CIRCUIT DIAGRAM

CIRCUIT DIAGRAM FOR THE CONNECTING TO THE HYDRONIC II C



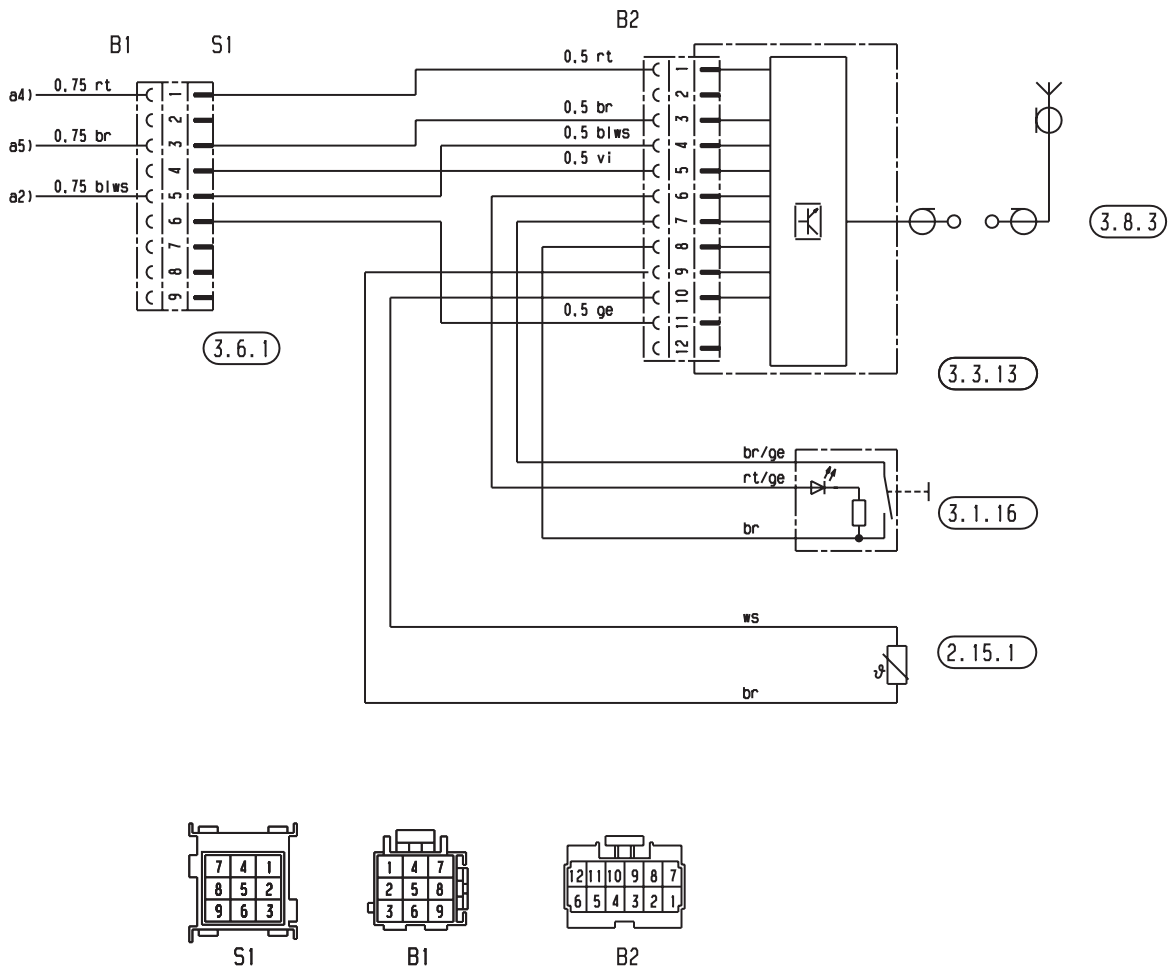
PARTS LIST

- 2.15.1 Temperature sensor
- 3.1.16 Button
- 3.3.13 EasyStart Call
- 3.6.1 Adapter
- 3.8.3 Antenna

25 2506 00 97 02 B

6 CIRCUIT DIAGRAM

CIRCUIT DIAGRAM FOR CONNECTING TO THE HYDRONIC M II



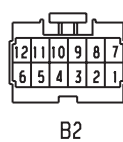
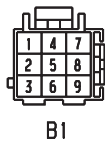
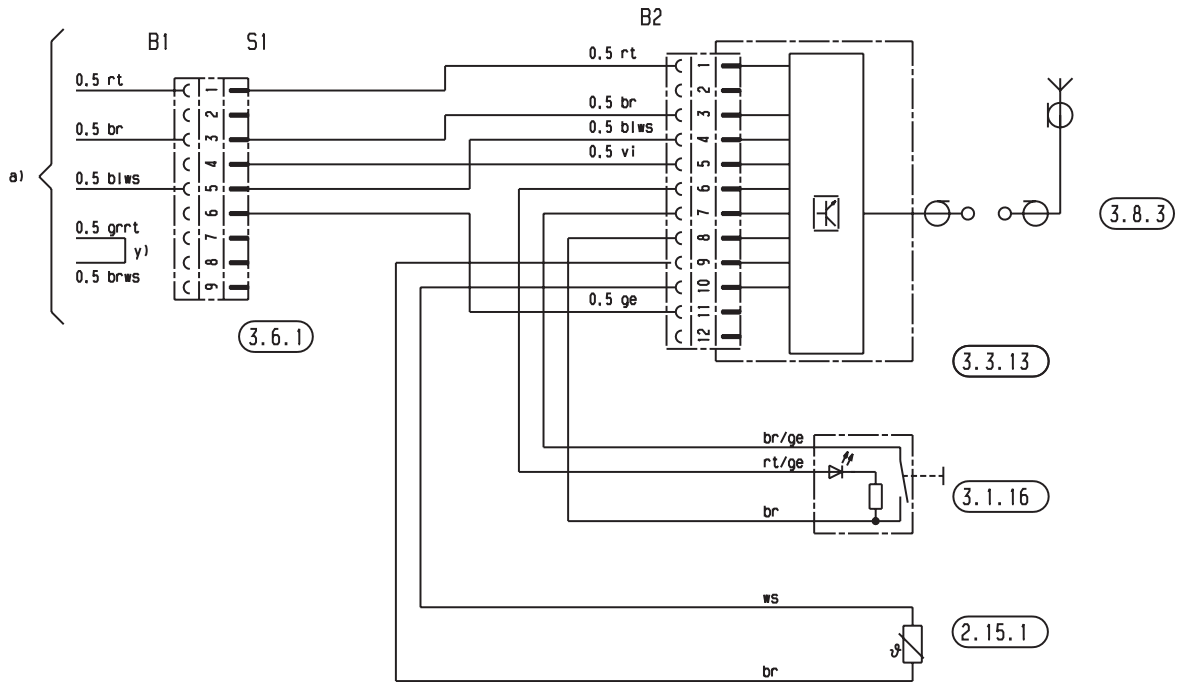
PARTS LIST

- 2.15.1 Temperature sensor
- 3.1.16 Button
- 3.3.13 EasyStart Call
- 3.6.1 Adapter
- 3.8.3 Antenna

25 2435 00 97 07 B

6 CIRCUIT DIAGRAM

CIRCUIT DIAGRAM FOR CONNECTING TO THE AIRTRONIC / AIRTRONIC M / AIRTRONIC L



PARTS LIST

- 2.15.1 Temperature sensor
- 3.1.16 Button
- 3.3.13 EasyStart Call
- 3.6.1 Adapter
- 3.8.3 Antenna

25 2361 00 97 14 B



www.krueger.co.uk

Eberspächer dealer



Eberspächer®

www.eberspaecher.com

All information in this manual is copyright of Eberspächer