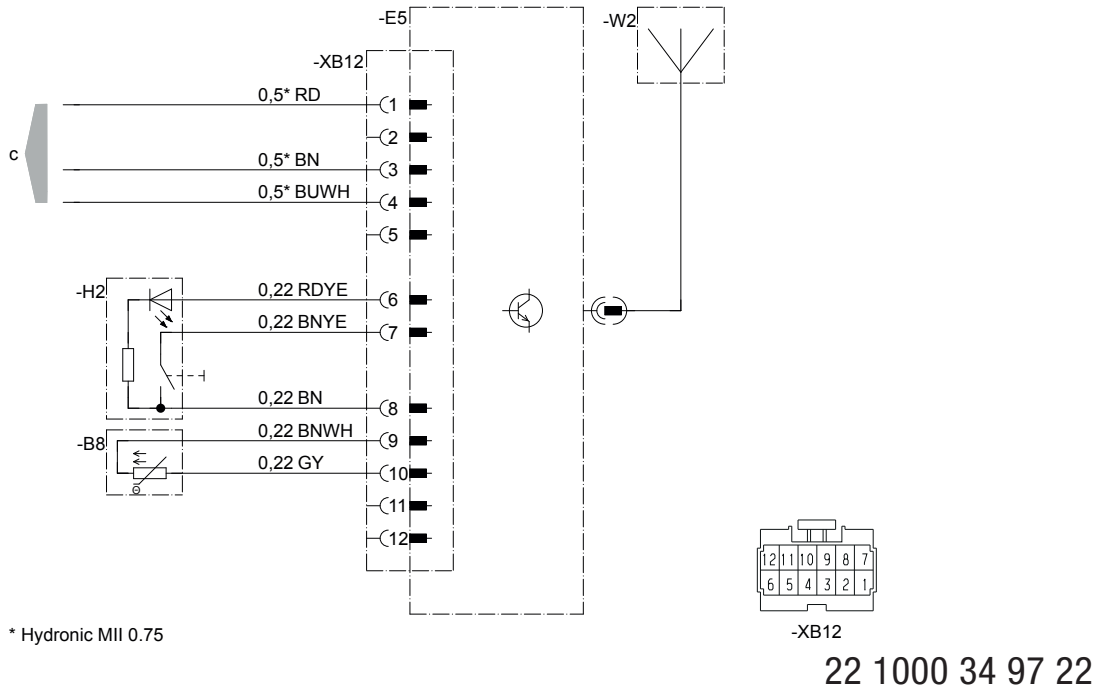


**Circuit Diagrams – EasyStart Remote+**

For Hydronic, Hydronic II, Hydronic II C, Hydronic II Comfort, Hydronic M II, Hydronic S3

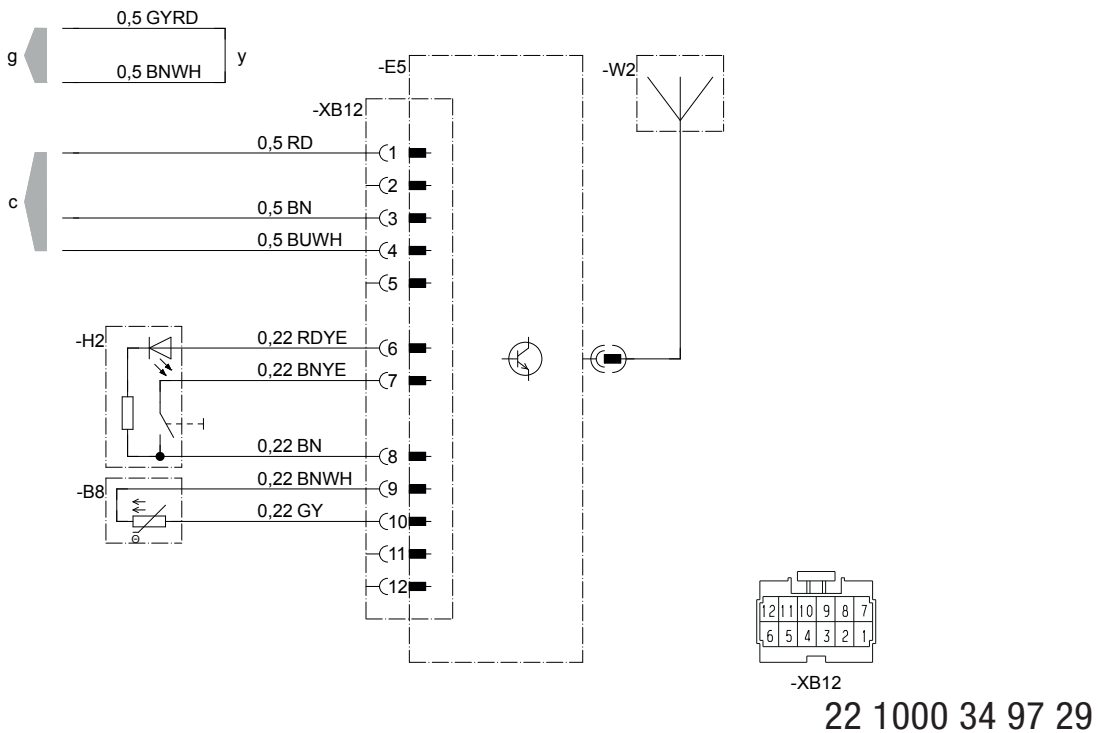
**EN**

X:58○  
Light (+)



**Circuit Diagrams – EasyStart Remote+**

Connection to Airtronic, Airtronic M, Airtronic L



**EN**

- B8 Room temperature sensor
- E5 EasyStart Remote+ radio remote control
- H2 Button
- W2 Antenna

c to the heater

g to the heater

y Connect cables and insulate

### Connector housing pin assignment -XB12

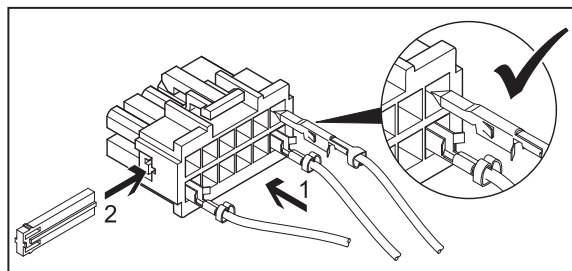
Pin	Signal	Cable colour
1	Terminal 30	red
2	–	–
3	Terminal 31	brown
4	Diagnosis	blue / white
5	DAT	violet
6	Button LED	red / yellow

### Cable colours

RD	red	GY	grey	BK	black
BU	blue	YE	yellow	GN	green
WH	white	VT	violet	BN	brown

Connector housing chamber assignment (assignment seen from the cable inlet side)

### Installing the tab connector of the lead harness



#### **i** Please note!

- When installing the connector, ensure that the locking tangs always face the middle of the connector. Only in this position to the tangs latch into the housing (see sketch).

#### **i** Please note!

- Please find further information on the devices installation and connection on the enclosed CD.

**Headquarters:**  
 Eberspächer Climate Control Systems  
 GmbH & Co. KG  
 Eberspächerstraße 24  
 73730 Esslingen  
 Hotline: 03976 2350235  
 Fax hotline: 01805 262624  
 info@eberspaecher.com  
 www.eberspaecher.com



[www.krueger.co.uk](http://www.krueger.co.uk)

Eberspächer dealer



Eberspächer®

[www.eberspaecher.com](http://www.eberspaecher.com)

All information in this manual is copyright of Eberspächer